

# Etude Plus & Etude Plus Low



COMFORT, EASE OF USE AND DURABILITY



Making Life's  
Experiences Possible

Yes, you can.®

The Etude Plus care bed, with its attractive aesthetics, flexible design and easy handling is ideal for homecare use.

All the features of the popular Etude concept, such as sturdiness, ease of handling and durability, are very much present in this new version. Etude Plus is easy to transport and install in the home; the bed can be easily assembled and dismantled and can be used with a transport adaptor, all without compromising client comfort or safety. With the Invacare Etude Plus Low, thanks to the extra low height levels, safety is now even greater, ensuring greater protection from injury for those who are liable to fall out of bed. The low levels also make it easy for patients to get in and out of bed.



## Modern and Flexible

The streamlined, discreet design perfectly complements any interior. The bed can be configured with steel or wood side rails, with or without an extra wood plate. Small details make a big difference to personal comfort: Etude Plus can be customised with auto-regression for increased comfort and reduction in shear and friction. Lockable hand control for increased safety. The standard, built-in double-brackets are designed to suit each client's unique transfer needs in different positions (entrance height of 400 mm, alternative of 330 mm.)

## Easy handling & storage

Portability and storage are key benefits of the Etude. Its simplistic design allows easy assembly and dismantling without tools, and the process can be safely and comfortably managed by one person (each section weighs less than 25 kg). The bed ends can be easily attached to the transport unit making the Etude lightweight and manoeuvrable for handling and storage.

## Highest possible safety levels

The Etude Plus conforms to IEC60601-2-52, the safety standard for beds. This is equal to the highest degree of safety for both client and carer. In addition to stringent internal tests, Etude Plus has been TÜV approved. Etude Plus is compatible with three different ranges of side rail. All meet the demands for increased strength required in the latest safety standard for beds.

## Features



### Etude Plus – Attractive & Homely

With its wooden plate on both sides of the bed end and a range of optional side rails available, the Etude Plus fits perfectly into any domestic environment, whether cosy or contemporary. The Etude Plus is height adjustable from 33-73 cm or 40-80 cm.



### Etude Plus Low

The extra low height levels are an integral benefit of the Etude Plus Low, increasing safety and reducing the risk of harm for people who are prone to falling out of bed. The low levels also make it easy for patients to get in and out of bed. The Etude Plus Low offers a range of adjustable bed heights, including 20-60 cm and 27-67 cm.

# Features



## Built-In low version with Double Brackets

Easy and quick attachment of Mattress Support to bedends with different heights for different purposes available.



## Easy Maintenance

IPX6 motors can be dismantled without tools. The cabling between the control unit and the motor is easy to access and replace.



## Auto-Regression

Improved comfort when seated, reduced shear/friction.



## Hand Control

Slim, ergonomic hand control. Choose with or without lockable functions.



## Transport & Storage

Easy to store and to transport when placed on the optional transport kit.

# Options



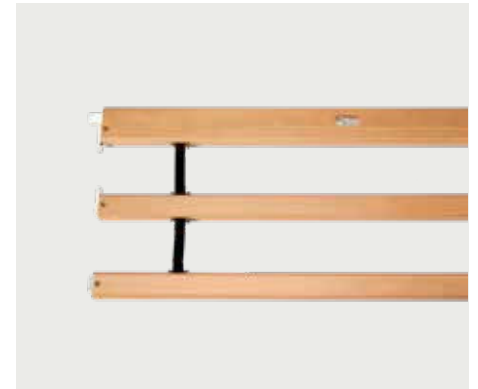
## Mattress Support Extension

For the ultimate in customisation and personal comfort, choose between an extension of 100 or 200 mm.



## Cover for wooden side rail

Padded cover for wooden side rails. Cover remains in place when side rail is lowered. Available in standard, extended, short and net.



## Britt V

Full-length side rails in beech. Compliant with IEC 60601-2-52.



## Line/Line Extended

Full-length aluminium side rails. Compliant with IEC 60601-2-52.



## Height Extender

Height of full-length side rails can be increased by 150 mm.

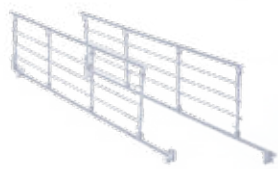


## Transport Kit

For easy storage and enhanced portability.

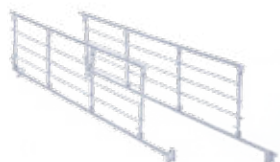


# Options



## Invacare Scala Basic 2

Collapsible steel side rail.



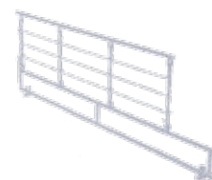
## Invacare Scala Basic Plus 2

Collapsible steel side rail with plastic inserts at the mounting brackets.



## Invacare Scala Medium 2

Collapsible steel side rail for higher mattresses.



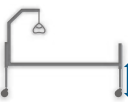
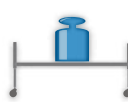


## Invacare Scala Decubi 2

Collapsible steel side rail for extra high mattresses.

Compliant with the safety standard for beds IEC 60601-2-52.

# Tech Specs

				
	Length	Width	Adjustable Height	Max User weight
<b>Etude Plus</b>	21.9cm	102cm	33 - 73cm or 40 - 80cm	165kg
<b>Etude Plus Low</b>	21.9cm	102cm	20 - 60cm or 27 - 67cm	165kg
<b>Mattress</b>	200cm	90cm		

**NB** The bed must not be used by patients under 12 years of age, or by patients with body size equivalent to an average 12 year old or smaller.

BED ONLY. SIDE RAILS ARE OPTIONAL ACCESSORIES.

**For more comprehensive pre-sales information about this product, including the product's user manual, please see your local Invacare website.**

# Frame Colours



Aluminium grey

Beech

Please notice colors may vary slightly from those displayed above.

## FOR FURTHER INFORMATION:

**New Zealand:** Freephone 0800 468 222, email [sales@invacare.co.nz](mailto:sales@invacare.co.nz) or visit [www.invacare.co.nz](http://www.invacare.co.nz)

**Australia:** Freephone 1800 460 460, email [orders@invacare.com.au](mailto:orders@invacare.com.au) or visit [www.invacare.com.au](http://www.invacare.com.au)

All rights reserved. All information quoted is believed to be correct at time of publication. Invacare reserves the right to alter product specifications without prior consent. 07/2024



**Yes, you can.®**