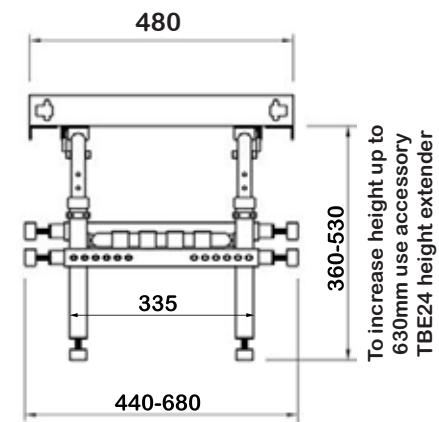
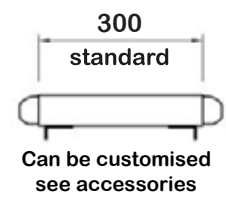
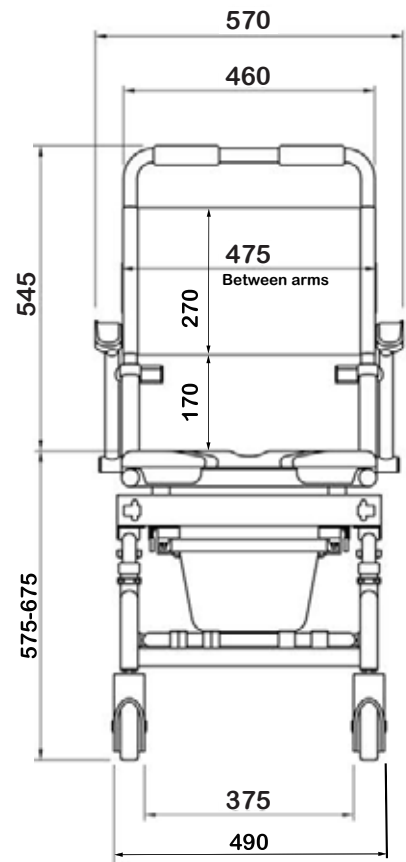


Toilet clearance
For bath tubs higher than 535mm use accessory RBE24 height extender



SB2

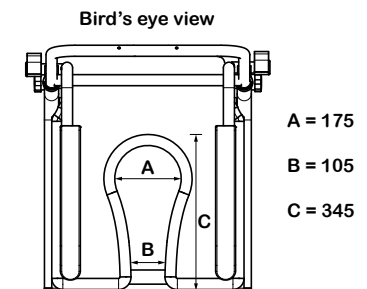
Dimensions = Millimetres

Product features:

- Weight capacity - 250kg
- Rolls over most standard toilets
- Low maintenance
- Arms - removable / lockable / flip-back
- Height adjustable
- Safety mechanisms & side stabilizers on bath base
- No rust aluminum frame (Grade 6061 T6)
- Stainless steel parts and hardware (Grade 304)
- Footrest - fold-up foot rest on rolling base and on bath base
- Safety belts - lap & chest belts
- Caster Wheels - 125mm x 4 locking
- Commode system
- Tool-free assembly

Accessory items

- Refer to the accessory pages or on our website



A = 175
B = 105
C = 345